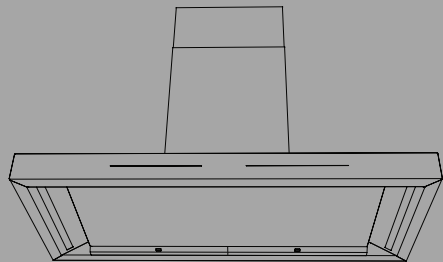




**ASKO**  
Inspired by Scandinavia



---

**INSTRUCTIONS FOR USE**

Cooker hood  
EN

CW4938GCN  
CW41238GCN  
CI41238SCN



# Contents

<b>Introduction</b> .....	<b>3</b>	<b>Wi-Fi-connectivity</b> .....	<b>11</b>
Pictograms used .....	3	Wi-Fi/ConnectLife-app .....	11
Introduction .....	3	<b>Technical data</b> .....	<b>14</b>
<b>Safety</b> .....	<b>4</b>	Hazardous substances in products .....	14
.....	4	Compliance information .....	15
<b>Use</b> .....	<b>7</b>	<b>Maintenance</b> .....	<b>16</b>
Description user interface .....	7	Cleaning .....	16
Cooker hood functions .....	7	Lighting .....	18
<b>Operation</b> .....	<b>8</b>	<b>Installation</b> .....	<b>19</b>
Switching extraction on and off .....	8	.....	19
Switch on the boost setting .....	8	Preparations for installation .....	21
Switching on automatic delayed shut-off .....	8	Electrical connection .....	21
Switching the light on and off .....	9	Appliance dimensions .....	22
Changing the colour temperature .....	9	Built-in .....	23
Clean Air function .....	9	<b>Environment</b> .....	<b>32</b>
Active mode .....	9	Tips for energy-efficient cooking with	
Making the connection between cooker hood		hoods .....	32
and hob .....	10	Disposal of the appliance and packaging .....	32
		<b>Your notes</b> .....	<b>33</b>






# Introduction

## Pictograms used

The following symbols are used throughout the manual and they have the following meanings:

 INFORMATION!

**Information, advice, tip, or recommendation**

 WARNING!

**Warning – general danger**

 ELECTRIC SHOCK!

**Warning – danger of electric shock**

 HOT SURFACE!

**Warning – danger of hot surface**

 DANGER OF FIRE!

**Warning – danger of fire**

## Introduction

On reading these user manuals you will soon become familiar with the features of this appliance. Please read the appliance's safety and maintenance instructions.

Please retain the operating and installation instructions as these may be useful for future reference.

### TIP!

You can find the most recent version of the instructions for use on our website.

# Safety

## WARNING!

READ CAREFULLY AND KEEP FOR FUTURE REFERENCE!

### **Safe use**

- This appliance is only designed for household use.
- CAUTION: Accessible parts may become hot when used with cooking appliances.
- This appliance can be used by children aged from 8 years and above and persons with reduced physical, sensory or mental capabilities or lack of experience and knowledge if they have been given supervision or instruction concerning use of the appliance in a safe way and understand the hazards involved.
- Children shall not play with the appliance.
- Do not allow children to clean or maintain the appliance unless supervised.
- Always provide adequate ventilation!
- There shall be adequate ventilation of the room when the range hood is used at the same time as appliances burning gas or other fuels.
- When the range hood and appliances supplied with energy other than electricity are simultaneously in operation, the negative pressure in the room must not exceed 4 Pa ( $4 \times 10^{-5}$  bar).
- Local regulations concerning the discharge of air have to be fulfilled.
- Never use a pressure cleaner or steam cleaner to clean the appliance.

## ELECTRIC SHOCK!

Avoid the risk of electric shock; make sure the appliance is switched off before cleaning the appliance.

- Only use the appliance inside the home.

- Do not use the cooker hood if the grease filter has not been fitted properly!
- Do not lean against the cooker hood.
- Never use the cooker hood as a working surface unless this is indicated explicitly.
- Grease and oil are inflammable when overheated. Remain in the cooking area when preparing meals.
- To prevent hot fat catching fire you should only deep-fry under continuous supervision.
- The cooker hood should be cleaned regularly both on the outside as well as the inside (at least 1 x per month). Insufficient cleaning or a delay in the replacement of filters can cause a fire hazard.
- Clean the filters on time.
- The grease filters can become hot during use. After cooking wait at least 30 minutes before cleaning.
- Please note! Intensive use can lead to condensation on the cooker hood. Condensation is simple to remove with a dry cloth.
- Follow the instructions in the manual for cleaning or replacing the grease filters and/or carbon filters!

### DANGER OF FIRE!

There is a risk of fire if the instructions for cleaning or replacing grease filters and/or carbon filters are not followed.

Through grease deposits in the metal grease filter. Never work with open flame under the appliance (eg. flambéing). Always use the appliance with the metal grease filter. Clean the grease filter regularly.

Through overheated fat or oil. Never extinguish a fire with water; always use a fire blanket, lid or plate.

- The appliance may have sharp edges; please be careful during cleaning.



## Safety

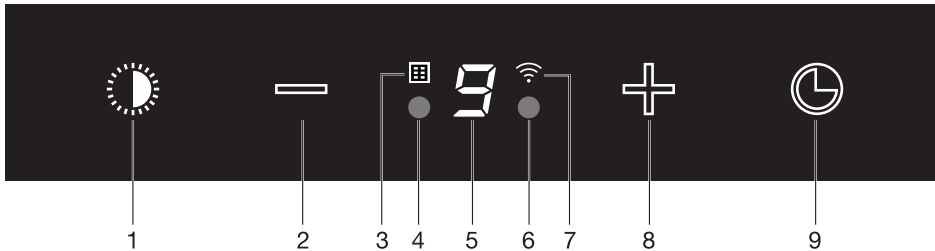
- The light emitted by LED lights is very dazzling and can damage the eyes. Do not look directly into the switched on LED lights for longer than 100 seconds.
- When washing grease filters in the dishwasher it is recommended to use a short, non-intensive programme. Check the grease filter after washing in the dishwasher for wear (loose material). Wear can occur as a result of frequent washing. If loose material is visible, replace the filters in order to prevent this loose material from ending up in the food that is cooked.
- Do not use the appliance in temperatures below 5 °C.





## Use

### Description user interface



1. Switching on/off and dimming the lighting
2. Reducing air extraction capacity and switching off
3. Grease filter cleaning indicator
4. Proximity sensor
5. Display status
6. Proximity sensor
7. Wi-Fi key
8. Switching on and increasing air extraction capacity
9. Switch on automatic delayed shut-off

### Cooker hood functions

#### **Active mode**

The proximity sensor detects a user standing in front of the hood and will illuminate the icons.

#### **Automatic delayed shut-off**

The time-controlled delayed shut-off ensures that the last cooking vapors are still extracted. The delayed shut-off mode switches off automatically after 10 minutes.

#### **Clean Air function**

The Clean Air function switch on automatically for 10 minutes every 24 hours at the lowest speed setting.

# Operation

## Switching extraction on and off



1. Press the '+' button.  
*The cooker hood will switch on at the lowest setting.*
2. Press the '+' key for a higher fan setting. Press and hold the '+' key for 2 seconds to select the highest setting (boost) (see 'Switch on the boost setting').
3. Press the '-' key to select a lower setting.  
*The extraction setting can be read in the display.*  
*The extraction setting can be set between speeds level 1 to 5.*
4. If the extraction setting is set at 1, you can switch off the cooker hood by quickly pressing and releasing the '-' button.
5. To switch off the cooker hood press and hold the '-' key for at least 2 seconds.

## Switch on the boost setting



1. Press and hold the '+' key for at least 2 seconds.  
*The boost setting is switched on for 10 minutes (depending on the model). The display will flash during this period. The original extraction setting will be reactivated after this period.*
2. Quickly press and release the '-' key to switch off the boost setting.

### NOTE!

Boost is not available in recirculation mode.

## Switching on automatic delayed shut-off



1. Press the automatic delayed shut-off button.  
*The automatic delayed shut-off indicator will flash.*  
*The cooker hood will switch off automatically after 10 minutes.*
2. Switch off automatic delayed shut-off by pressing a random button (except the one for lighting).

### NOTE!

If the boost setting has been selected, the timer function cannot be activated.





# Operation

## Switching the light on and off



1. Shortly press and release the light button.  
*The lighting changes from maximum to minimum strength and vice versa.*
2. Press and hold the lighting button to set the lighting strength.
3. To turn off the light, shortly press the light button while the light is on.

## Changing the colour temperature

You can adjust the lighting temperature.

Press and hold the light button. Press the '-' button to make the light 'colder' or press the '+' button to make the light 'warmer'.

## Clean Air function



The Clean Air function allows you to freshen the air in your kitchen for a maximum of 24 hours at level 1.

1. Switch off the cooker hood.
2. Press and hold the timer button for approximately 3 seconds.  
*The cooker hood will switch on automatically for 10 minutes every hour at the lowest speed setting. During extraction, the display will show a fast-moving 'snake'. When the hood switches off after 10 minutes, the display will show a slow-moving 'snake' until the hood switches on again after 50 minutes.*
3. Switch off the Clean Air function in the meantime by pressing a random button (any button other than the light button).

## Active mode

The proximity sensor detects a user standing in front of the hood and will illuminate the icons.

### Disable the active mode



Simultaneously press the '+' and 'timer' key for 3 seconds.

*The active mode is disabled.*

*The display shows a static 'U'.*

### Enable the active

Simultaneously press the '+' and 'timer' key for 3 seconds.

*The active mode is enabled.*

*The display shows 3 times a blinking 'U'.*



# Operation

## Making the connection between cooker hood and hob

To be able to operate the cooker hood with the hob, a connection must be made between the hob and the hood.

To make the connection, the Connection setup mode of the cooker hood and the hob must be activated.

See also the manual for the hob. Check our website for the full range of hobs that can be connected to your cooker hood.

1. The hood and lights must be switched off.
2. Touch and hold simultaneously the – (minus) key and the + (plus) key for 3 seconds. The lighting key, the + (plus), the – (minus) key, and the timer key will flash simultaneously for a maximum of 3 minutes.
3. On your hob, activate the pairing mode in the user menu (see the hob manual). The connection to the hob is established.
4. If the connection is successful, the cooker hood will return to standby.

### NOTE!

When manually operating the hood in connection mode, the pairing will be lost and must be paired again.



# Wi-Fi-connectivity

## Wi-Fi/ConnectLife -app

The appliance is fitted with a Wi-Fi module that allows the appliance to connect to a mobile device such as a smartphone or tablet. It offers to monitor the appliance status via the mobile device.

### NOTE!

The monitoring function via mobile device shall not be used to replace the personal supervision of the cooking process directly on the appliance.

#### Requirements:

- To use the Wi-Fi connectivity of the appliance, the range of your Wi-Fi router must extend to the appliance. The appliance only supports 2.4 GHz networks. If during the connection setup, your home network is not shown, check the router settings for 2.4 GHz, that the network is not hidden, and the signal is strong enough.
- Additionally, a mobile device with the ConnectLife -app installed and a registered user account is required (see chapter 'ConnectLife -app').

#### First steps to set up the Wi-Fi connectivity:




Within the following steps, the "Connection setup" is performed:



1. Check the "Requirements" as described above.
2. The hood and lights must be switched off.
3. Touch and hold simultaneously the - (minus) and timer key for 3 seconds to enter the Wi-Fi menu. 'Light' icon will be turned off.
4. Touch and hold simultaneously the - (minus) and timer key for 3 seconds to turn on Wi-Fi. 'o' will blink 3 times. Wi-Fi symbol will blink.
5. Touch and hold simultaneously the + (plus) and timer key for 3 seconds. The display will show an 'C'. Confirm with the timer key to start the 'Connection menu'. This mode will be disabled automatically after 5 minutes.
6. In the ConnectLife -app, select option 'Add Appliance' and follow the instructions.
7. If the ConnectLife -app does not connect to the device, wait 10 minutes and repeat the steps described.
8. Optionally: When the process was successful and you want to pair another user, you can use the 'Pairing mode' of the Wi-Fi menu and the 'Pairing' or 'Discovery' option of the ConnectLife -app.

### 💡 INFORMATION!

Troubleshoot quickly by turning the Wi-Fi module off and on again. More help can be found in the "Wi-Fi troubleshooting" section.



# Wi-Fi-connectivity

## Switching on Wi-Fi:

- The hood must be switched off.
- Touch and hold simultaneously the – (minus) and timer key for 3 seconds to enter the Wi-Fi menu. 'Light' icon will be turned off.
- Touch and hold simultaneously the – (minus) and timer key for 3 seconds to turn on Wi-Fi. 'o' will blink 3 times. Wi-Fi symbol will blink.

## Switching off Wi-Fi:

- The hood must be switched off.
- Touch and hold simultaneously the – (minus) and timer key for 3 seconds to enter the Wi-Fi menu. 'Light' icon will be turned off.
- Touch and hold simultaneously the – (minus) and timer key for 3 seconds to turn off Wi-Fi. 'o' will be static enlightened. The Wi-Fi symbol will turn off.

## Wi-Fi menu

To access the Wi-Fi menu the hood must be on standby. Touch and hold simultaneously the – (minus) and timer key for 3 seconds. Depending on the Wi-Fi state, there are 1 to 3 options available in the menu: 'C', 'P', and 'c'. If more than 1 option is available then use the + (plus) and - (minus) keys to toggle between the options. Confirm the selected option by touching the timer key.

## Connection Setup Mode

The appliance must be connected to the Cloud for the application to be able to monitor and control the appliance remotely.

'C' is shown on the display. Touch the timer key to enable 'Connection Setup Mode'. The Wi-Fi symbol will flash. This mode will be disabled automatically after 5 minutes.

## Pairing Mode

By pairing you gain monitoring functionality inside the ConnectLife-app. During pairing, you connect your appliance to your ConnectLife user account.

Pairing Mode is only available if the Wi-Fi connectivity setup has been performed.

'P' is shown on the display. Touch the timer key to enable 'Pairing mode'. The Wi-Fi symbol will flash. This mode will be disabled automatically after 3 minutes.

On the ConnectLife-app use the 'Pairing' or 'Discovery' option of the ConnectLife app to pair another user.

## Remote control mode

To be able to change function settings remotely, the appliance must be switched on and the ConnectLife-app must be enabled.

'c' is shown on the display. Remote control mode is only available if the Wi-Fi connectivity setup has been performed. Touch the timer key to enable 'Remote control'.

Blinking 'c': Remote control is enabled.

Static 'c': Remote control is disabled.

Toggle between enabling or disabling with the - (minus) and + (plus) keys.

To close the Wi-Fi menu, touch and hold the – (minus) key for 3 seconds. If no key is touched within 10 minutes, the Wi-Fi menu will be switched off automatically, the hood will be back in standby mode.

## Displaying the Wi-Fi status:

- Wi-Fi module disabled: Wi-Fi symbol not displayed.
- Configuration in progress: Wi-Fi symbol flashes.
- Connected to home network router: Wi-Fi symbol flashes.
- Connected to home network router and cloud: Wi-Fi symbol continuously lit.



## ConnectLife-app

The **ConnectLife-app** is available on the Apple App Store and Google Play Store. After pairing with the appliance, the app can be used to monitor the status of the appliance.

Go to [www.connectlife.io/getstarted](http://www.connectlife.io/getstarted) to download the ConnectLife-app, information about the system, support and available features. Find additional options under [www.connectlife.io](http://www.connectlife.io).

## Getting started with the ConnectLife-app

Get started with your ConnectLife-app in 3 easy steps. Please check as addition the chapter "First steps to setup the Wi-Fi connectivity". More help under [www.connectlife.io/getstarted](http://www.connectlife.io/getstarted).

1. Registration:
  - Install the ConnectLife-app.
  - Start the app.
  - Choose "Get Started" and follow the process.
  - If you are already registered, use the "Sign In" option.
2. Add the appliance:
  - In the app: Go to "Appliances".
  - Choose "Add Appliances" or touch the + (plus) key.
  - Make sure Wi-Fi on the appliance is turned ON and the appliance is in **Connection Setup Mode** (see as addition 'First steps to set up the Wi-Fi connectivity').
  - Follow the instructions of the ConnectLife-app.
3. Start cooking:

Congratulation, you can now start using ConnectLife together with your appliance.

# Technical data

## Hazardous substances in products

Name and content of hazardous substances in products						
Component name	Hazardous substance					
	Lead (Pb)	Mercury (Hg)	Cadmium (Cd)	Hexavalent Chromium (Cr (VI))	Polybrominated biphenyls (PBB)	Polybrominated diphenyl ethers (PBDE)
<b>Enclosure material</b>	x	0	0	0	0	0
<b>Housing of electronics</b>	x	0	0	0	0	0
<b>Printed circuit board assembly</b>	x	0	0	0	0	0

This table is prepared in accordance with the provisions of SJ/T 11364.

**O:** Indicates that said hazardous substance contained in all of the homogeneous materials for this part is below the limit requirement of GB/T 26572.

**X:** Indicates that said hazardous substance contained in at least one of the homogeneous materials used for this part is above the limit requirement of GB/T 26572.



The number in this logo indicates that the environmental protection use of the product under normal conditions is 10 years.

The Environmental Protection Use Period (EFUP) of all connected products and their parts corresponds to the symbol shown here, unless otherwise specified. Some field replaceable parts have different environmental protection usage periods, so they are marked separately. If the product is used under normal conditions, the environmental protection use period is valid.

### Description:

The solder used to form a reliable connection between the printed circuit board and the carrier contains lead.






## Technical data

### Compliance information

Radio equipment type	Cooker hood
Operating frequency range	xx MHz (16 channels)
Maximum output power	xx dBm EIRP average (calculated)
Maximum antenna gain	xx dBi

Hereby, ASKO declares that the radio equipment type Cooker hood is in compliance with Directive 2014/53/EU.





# Maintenance

## Cleaning

### WARNING!

**Important!** For all maintenance, first switch off the mains power to the cooker hood by pulling the plug out of the socket or by turning off the home's master switch. The hood needs to be cleaned regularly, both inside as well as outside (at least as often as the grease filter).

Do not use abrasive cleaning products. Do not use alcohol!

If the instructions regarding cleaning of the appliance or replacing the filters are not followed, this can cause a fire. These instructions must be followed! The manufacturer is not liable for damage to the hood or fire damage resulting from incompetent maintenance or from non-adherence to the safety instruction above.

### **Cooker hood**

Clean the cooker hood with soapy water and a soft cloth.

Then rinse with clean water. Do not use aggressive cleaning agents such as caustic soda. The cooker hood finish stays in good condition if it is buffed periodically following the application of wax.

### NOTE!

#### **Stainless steel cooker hoods**

Do not use scouring pads or other abrasive cleaners on stainless steel cooker hoods. Finish with a non-abrasive, non-polishing agent and buff the stainless steel in the direction of the grain.

### **Filter cleaning indicator**

The filter indicator will lit after 14 operating hours.

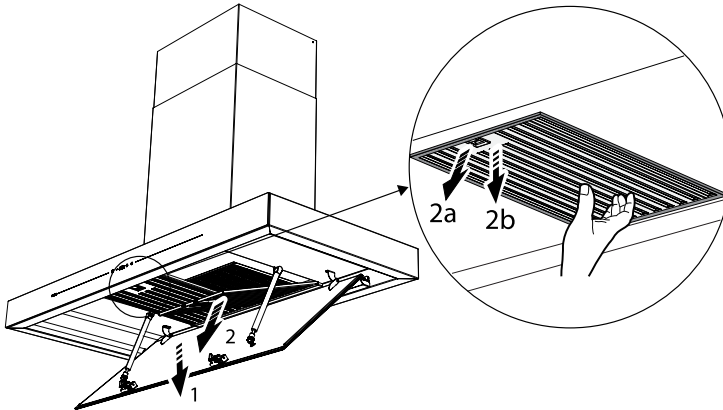
- The grease filters should then be cleaned.
- Metal grease filters should be cleaned once a month (or when indicated by the filter cleaning indicator) using a neutral cleaning agent, either by hand or in the dishwasher on a short, low-temperature program.
- Place the grease filters with the openings facing downwards in the dishwasher so the water can drain out of the filter. Stainless steel grease filters become dull as a result of dishwasher cleaning agents. This is normal and does not effect the working. Allow the filters to drain well before replacing.
- Reset the memory by pressing and holding the '-' key until the filter indicator goes off.





# Maintenance

## Removing grease filter



1. Switch off the motor and lighting.
2. Push in the latches and open the panel.
3. Open the filter's access latch. Support the filter with your hand.
4. Remove the filter from the hood.

## Reposition the grease filter

The filter should be placed with the locking mechanism on the front. Open the filter access latch. The notches at the front of the filter will then slot in. Hold the access latch in this position when placing the filters.

1. Slot the notches at the back of the filter in the specially designed opening of the cooker hood.
2. Tilt the filter upwards.
3. Release the filter access hatch. The notches at the back of the filter will extend outwards and slot into the specially designed openings of the cooker hood.

*The filter is now in position again.*

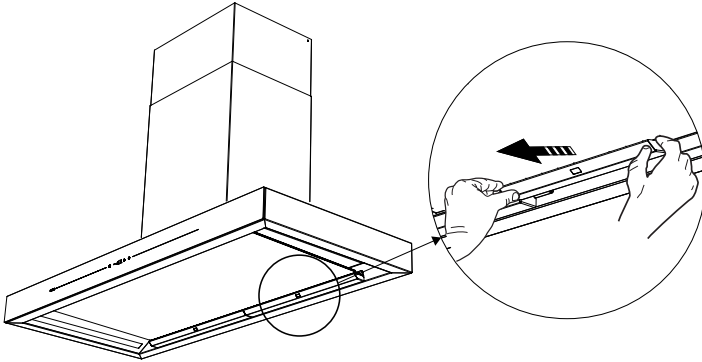
4. Press the glass plate firmly in the seal again (you will hear a click).

## WARNING!

The glass plate can be removed for cleaning. Two people are required when removing the glass plate (due to its weight)!

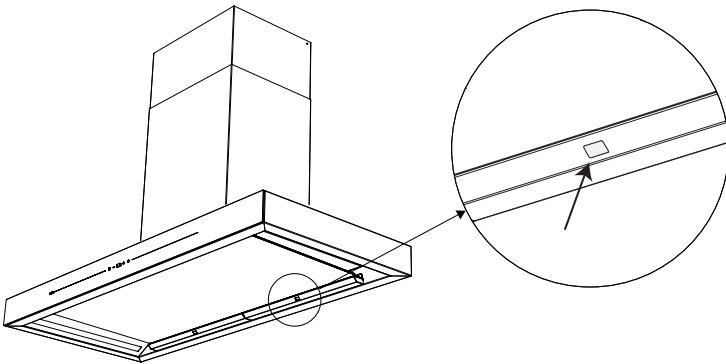
# Maintenance

## Remove grease trays



1. Grab the grease trays with both hands and slide them forward out of the hood ledge.
2. Empty the grease trays and clean them using a neutral cleaning agent, either by hand or in the dishwasher on a short, low-temperature program.

## Empty grease trays



The window in the grease trays indicates that the trays are full. Then empty the grease trays.

## Lighting

### WARNING!

The hood is fitted with LED lights. These must be replaced by an authorized technician. Do not attempt to replace the LED lights yourself.



## Safety regulations

### WARNING!

This appliance should only be connected by a registered installer.

- Always follow the installation instructions in the installation manual provided.
- Check the appliance for transport damage. Do not connect a damaged appliance.
- Faulty parts may only be replaced by original parts. The manufacturer can only guarantee that original parts meet safety requirements.
- If the supply cord is damaged, it must be replaced by the manufacturer, its service agent or similarly qualified persons in order to avoid a hazard.
- Always use the original Supply cord to connect the appliance.
- The electrical connection must comply with national and local regulations.
- The wall plug socket and plug should always be accessible.
- If a stationary appliance is not fitted with a supply cord and a plug, or with other means for disconnection from the supply mains having a contact separation in all poles that provide full disconnection under overvoltage category III conditions, the means for disconnection must be incorporated in the fixed wiring in accordance with the wiring rules. This is also applicable for appliances with a supply cord and plug when the plug is not accessible after installing the appliance. Using an omnipolar switch with a contact separation of at least 3 mm fitted in the fixed wiring will fulfil this requirement.
- The appliance should not be connected to the mains via a multi-plug adapter or extension cable, as the safe use of the equipment cannot be guaranteed.

## Installation

### WARNING!

Never open the casing of the appliance.

- Disconnect the appliance from the mains supply before starting any repair work.
- We advise you to wear protective gloves when assembling the cooker hood because of the possible sharp edges.
- The distance between the lowest point of the cooker hood and the supporting surface for the cooking vessels gas hob should be at least 65 cm.
- If the instructions of the gas hob specify a greater distance, this has to be taken into account.

### WARNING!

Failure to install screws or fixing devices in accordance with these instructions may result in an electrical hazard.

If the safety instructions and warnings are not followed, the manufacturer cannot be held responsible for any resulting damage.

If you decide to discontinue using the appliance because of a fault, we recommend you cut off the cable after removing the plug from the plug socket. Take the appliance to your municipality's waste disposal site.

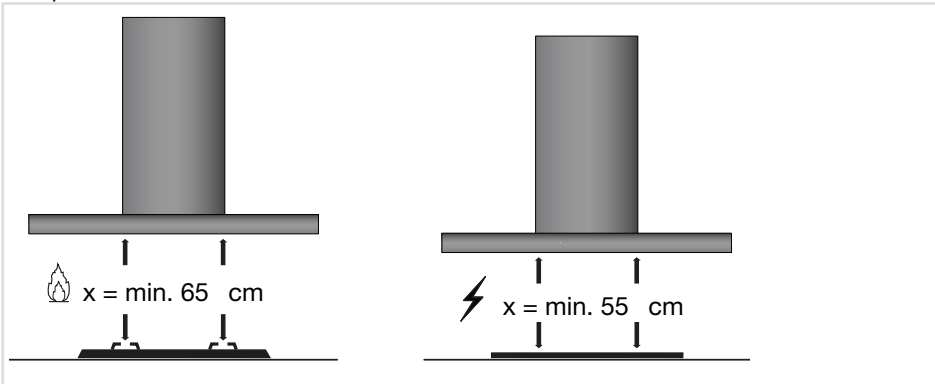
### **Place the appliance in an environment that meets the following conditions:**

- Ambient temperature range: +5....+40°C;
- Humidity: 30....70% RH;
- Maximum altitude: 2000 meters above sea level.



# Installation

## Preparations for installation



## Electrical connection

This appliance is manufactured in class I, it must therefore be connected to the earth system.

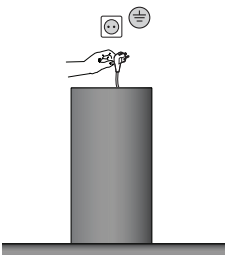
Make sure the supply voltage ratings correspond with those stated on the appliance data plate. The connection to the mains is carried out as follows:

- BROWN= L phase
- BLUE = N zero
- YELLOW/GREEN = Earth

During the electrical connection make sure that the electrical socket is equipped with earth connection.

This cooker hood has been provided with a power plug. When installing the hood, make sure that this plug remains accessible.

max. 120 cm



## WARNING!

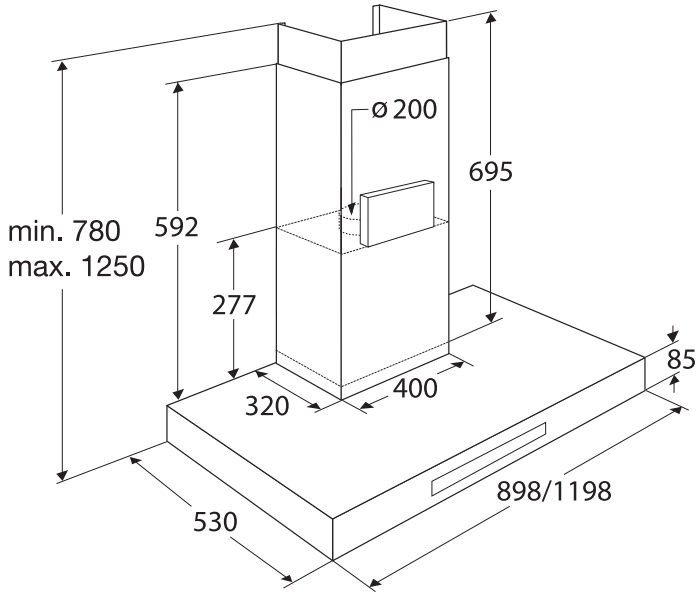
If you want to make a fixed connection, make sure that an omnipolar switch with a contact separation of at least 3 mm is fitted in the supply line.



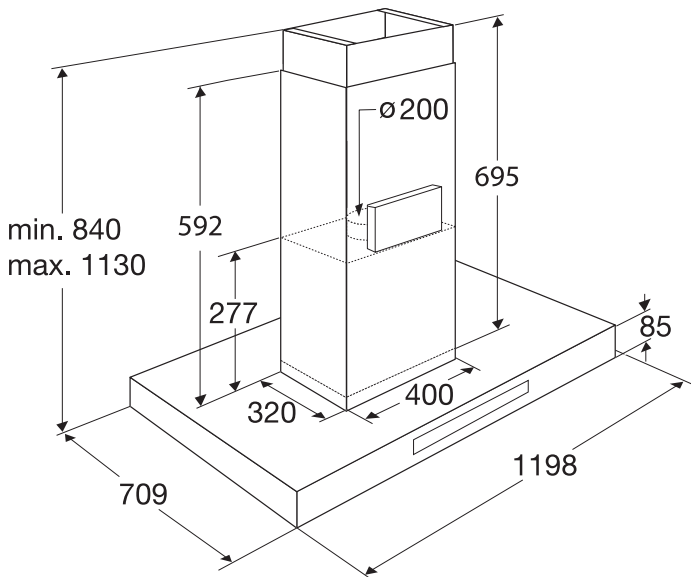
# Installation

## Appliance dimensions

### Wall hoods



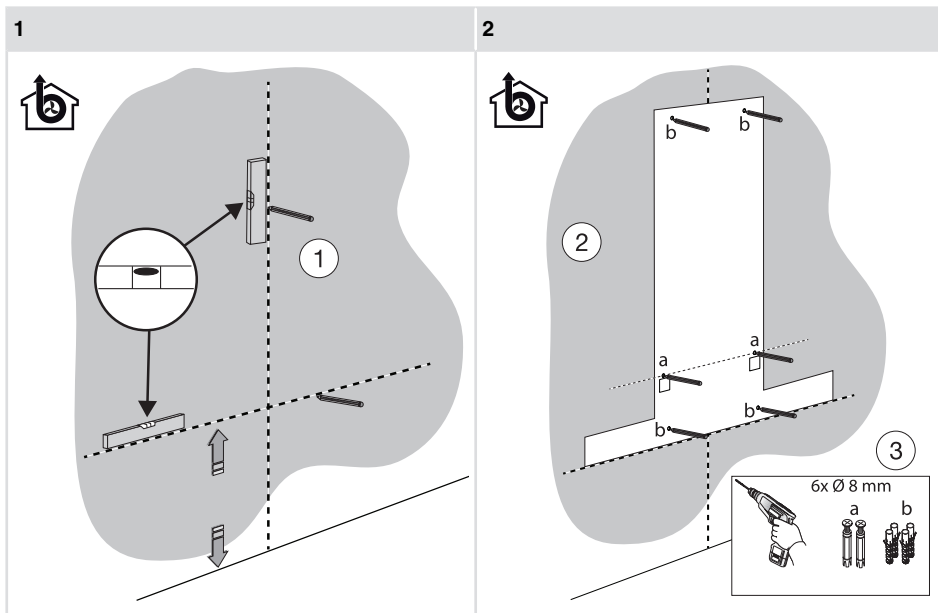
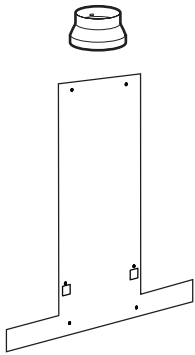
### Island hoods





# Installation

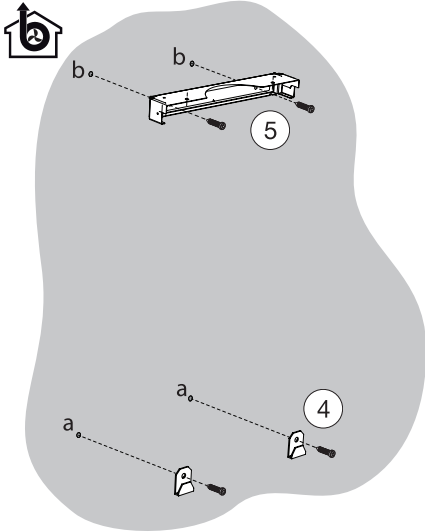
## Built-in Wall hoods



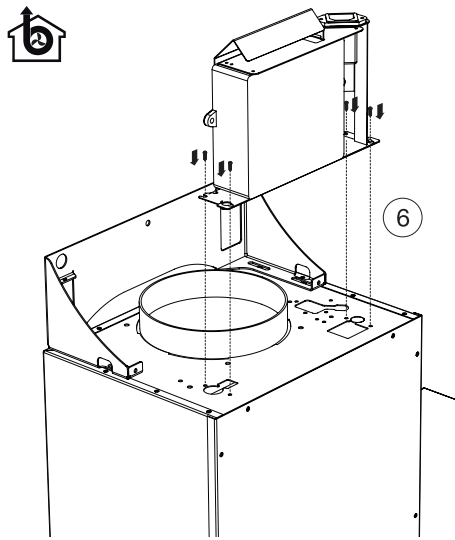


# Installation

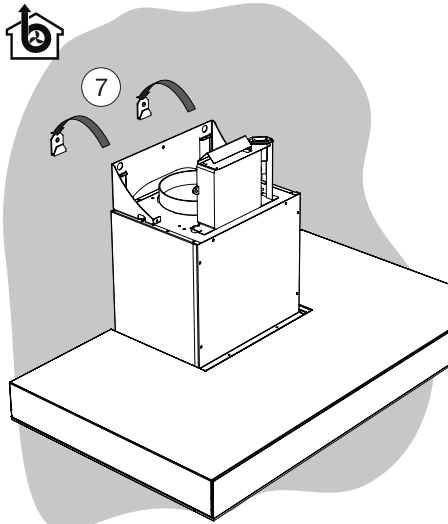
3



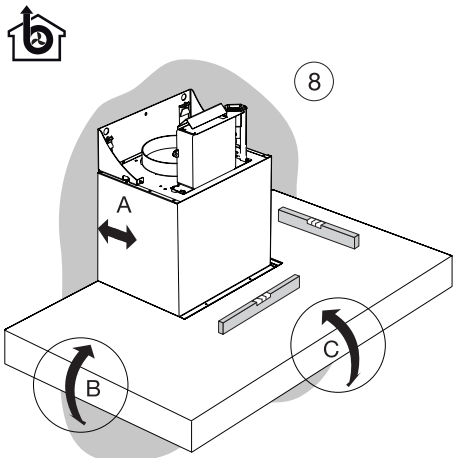
4



5



6

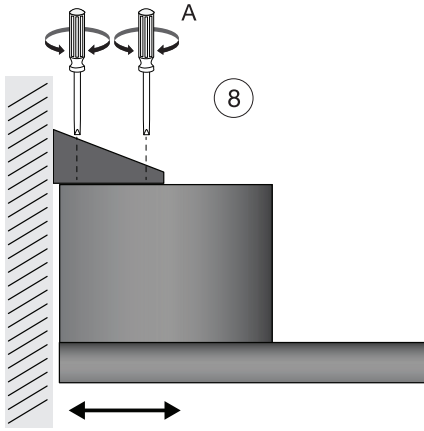




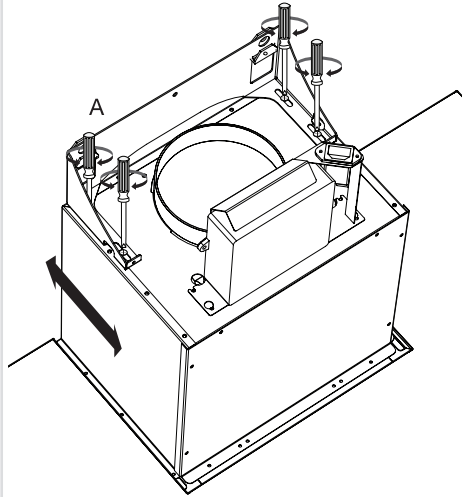


# Installation

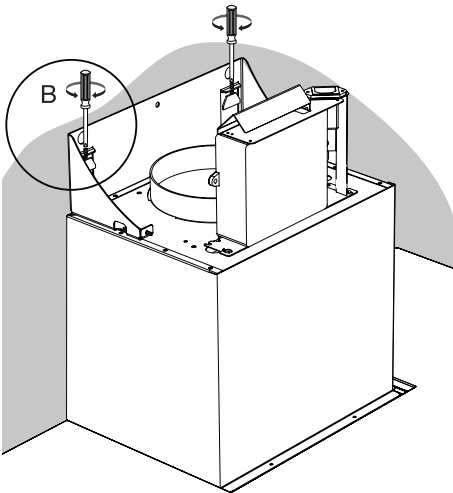
7



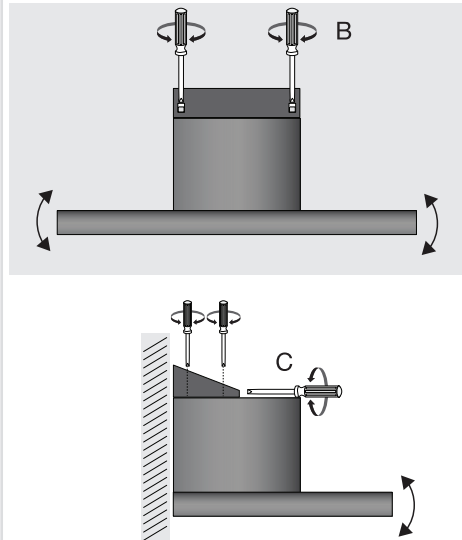
8



9



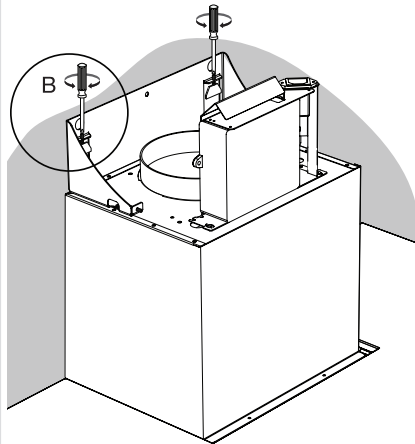
10



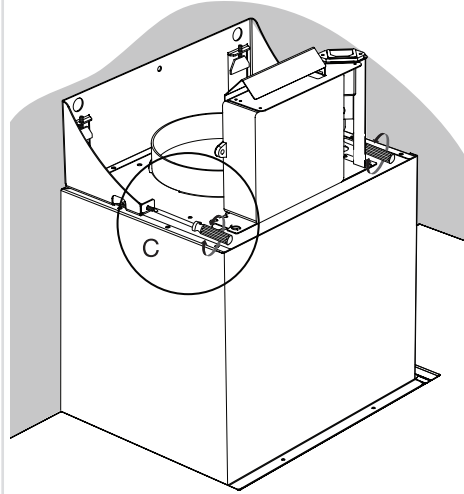


# Installation

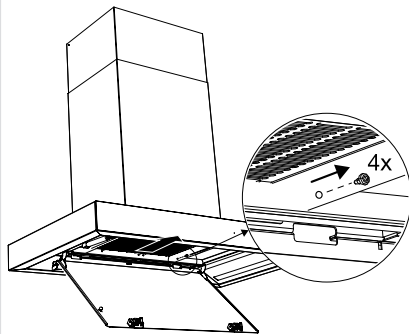
11



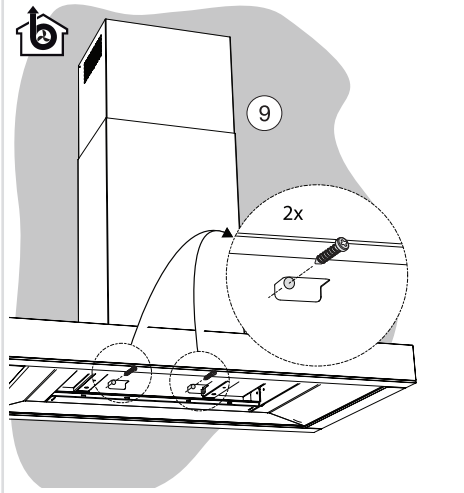
12



13



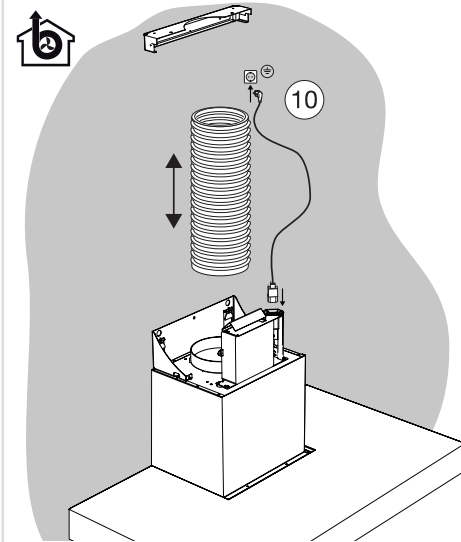
14



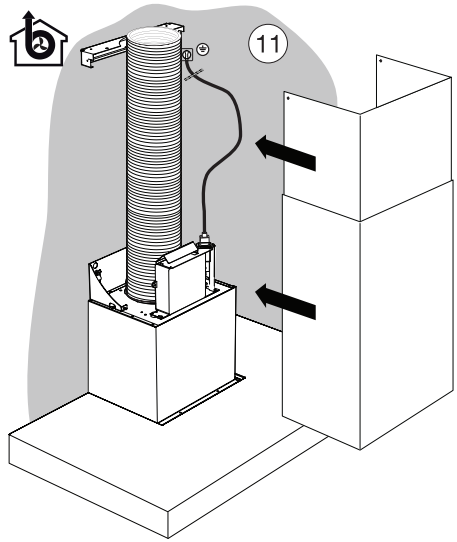


# Installation

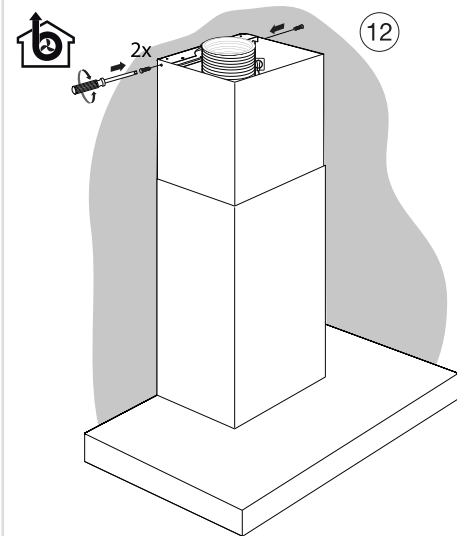
15



16



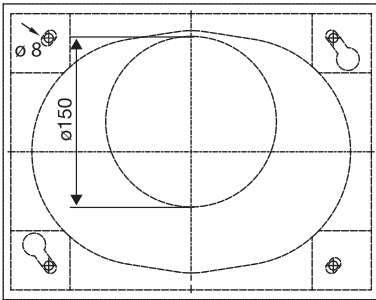
17



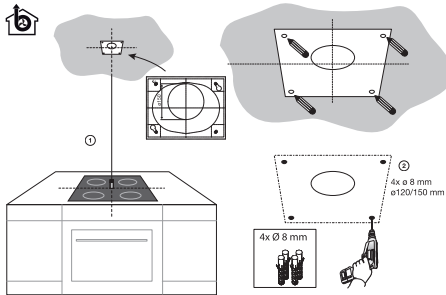


# Installation

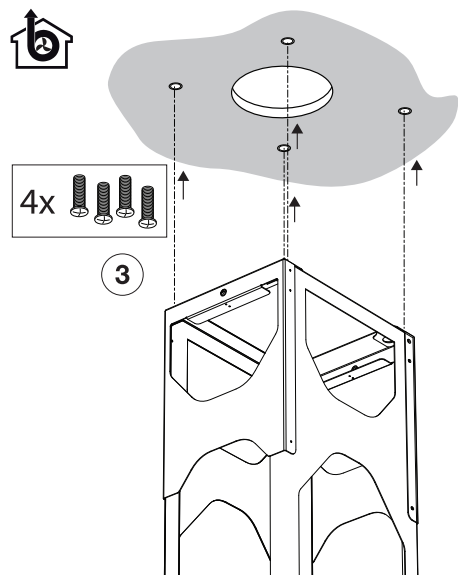
## Island hoods



1



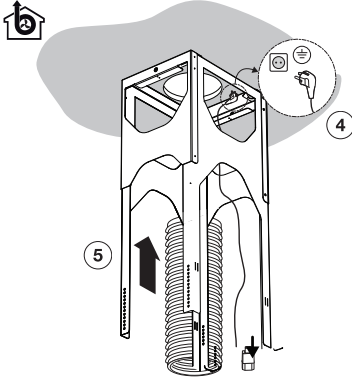
2



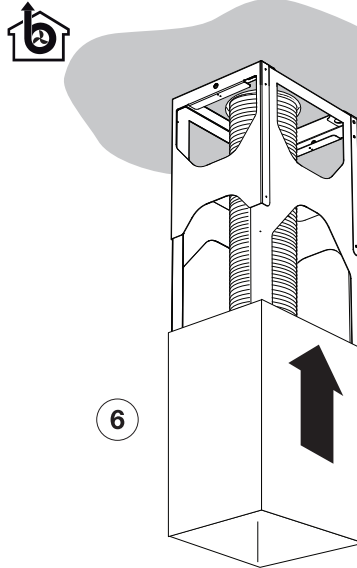


# Installation

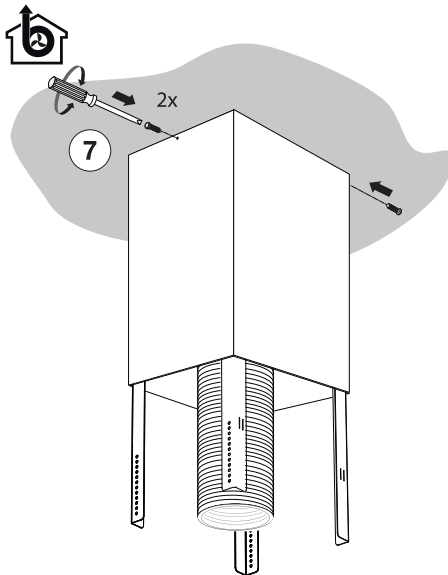
3



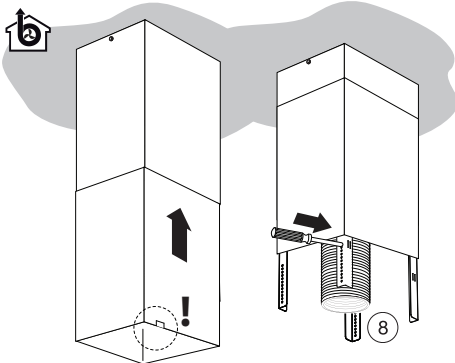
4



5



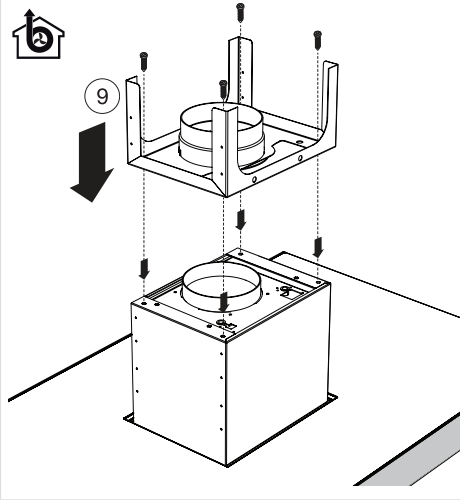
6



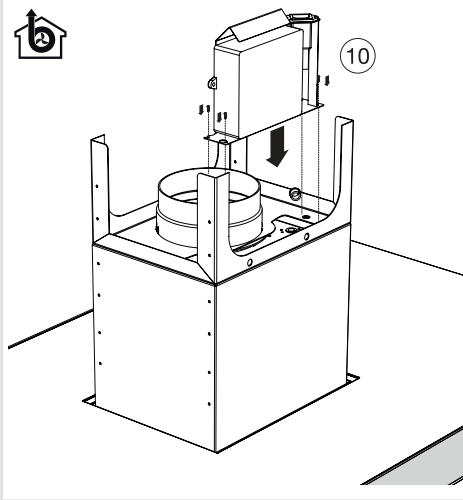


# Installation

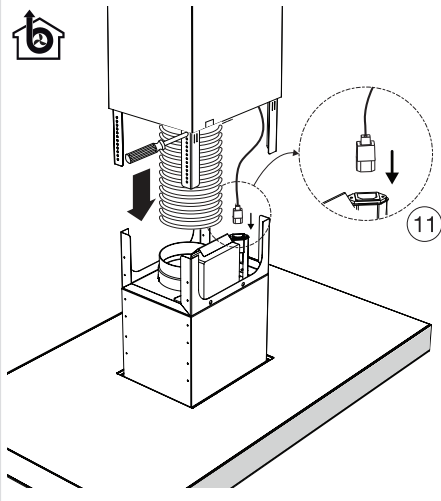
7



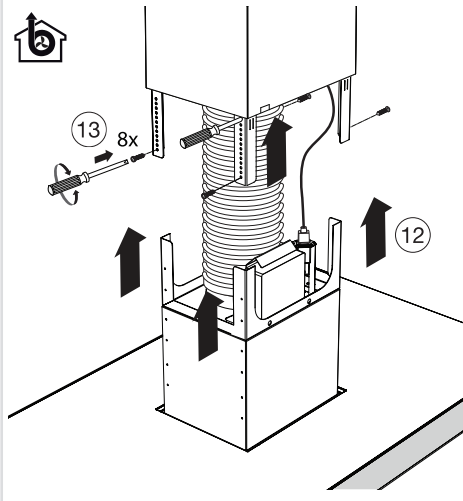
8



9



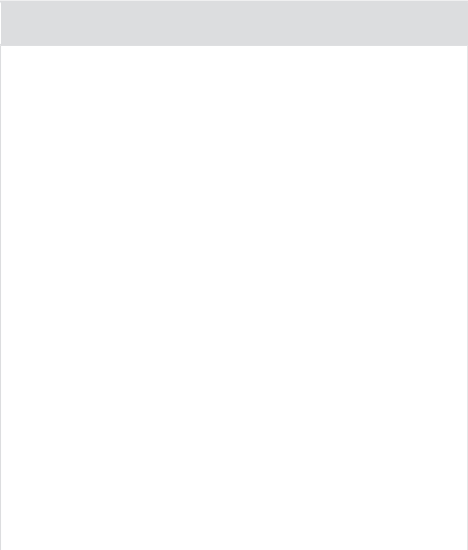
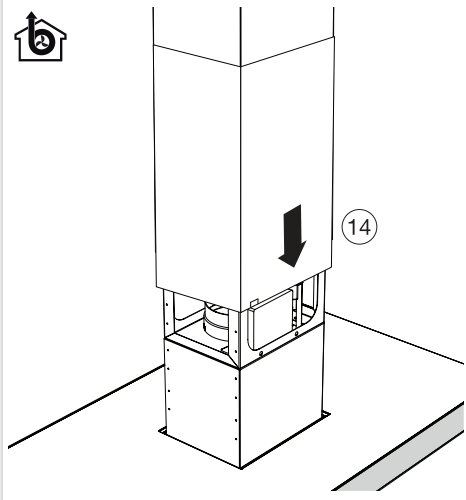
10





# Installation

11





# Environment

## Tips for energy-efficient cooking with hoods

- Use a low extractor setting and use the highest setting (boost) if necessary.
- A well-ventilated kitchen makes the range hood more efficient.
- Clean filters regularly and replace filters when needed to keep the filter efficiency high, as a saturated filter cannot perform and leads to longer usage times.

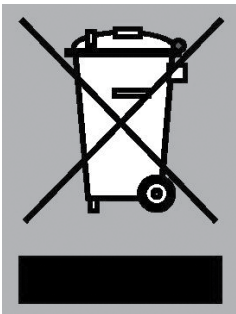
## Disposal of the appliance and packaging

Sustainable materials have been used during the manufacture of this appliance. This appliance must be disposed of responsibly at the end of its service life. Ask your local authorities for more information about how to do this.

The appliance packaging is recyclable. The following may have been used:

- cardboard;
- polyethylene film (PE);
- CFC-free polystyrene (PS rigid foam).

Dispose of these materials in a responsible manner and in accordance with government regulations.



The product has been marked with a crossed-out dustbin symbol to remind you of the obligation to dispose of electrical household appliances separately. This means that the appliance may not be included with normal domestic refuse at the end of its service life. The appliance must be taken to a special municipal centre for separated waste collection or to a dealer providing this service.

Separate collection of household appliances helps to prevent any potential negative impact on the environment and on human health caused by improper disposal. It ensures that the materials of which the appliance is composed can be recovered to obtain significant savings in energy and raw materials.



### Declaration of conformity

We hereby declare that our products satisfy the applicable European directives, orders and regulations, as well as the requirements stated in the referenced standards.











 **ASKO**  
Inspired by Scandinavia

[www.asko.com](http://www.asko.com)



860563-a7DRAFT



*We reserve the right to make changes.*